

SYLVA L / SYLVA R

Installation Manual



SYLVA L / SYLVA R

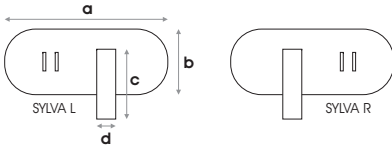
Total consumption: 10Watt
3000K
USB socket
IP20

Dimensions (mm):
a: 250, b:100, c:105, d:Φ28

SYLVA L



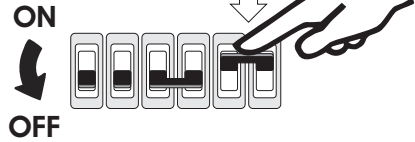
SYLVA R



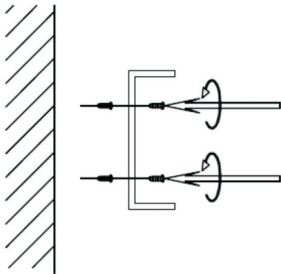
USB

CE

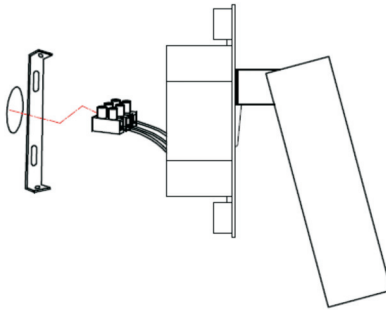
Class I
PF=0,5



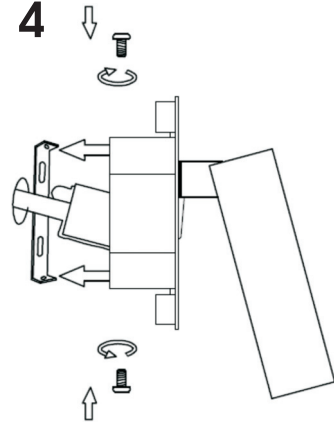
2



3



4



ELECTRON SA, PROFESSIONAL LIGHTING SYSTEMS

7 km National Road Athens - Lamia, 68 Antichias Str, N. Philadelphia, 143 41 Athens, Greece, Tel. +30 210 2584240, Fax. +30 210 2584245, info@electron.gr, www.electron.gr